



Monster Tower

WAKEBOARD TOWERS & ACCESSORIES

Monster Tower Mirror Installation Instructions and Owners Manual

Monster Tower, Inc.
5714 US Hwy 411 S
Maryville, TN 37801

Phone: 877-77-Tower
Fax: 877-232-6538
www.MonsterTower.com
Support@MonsterTower.com

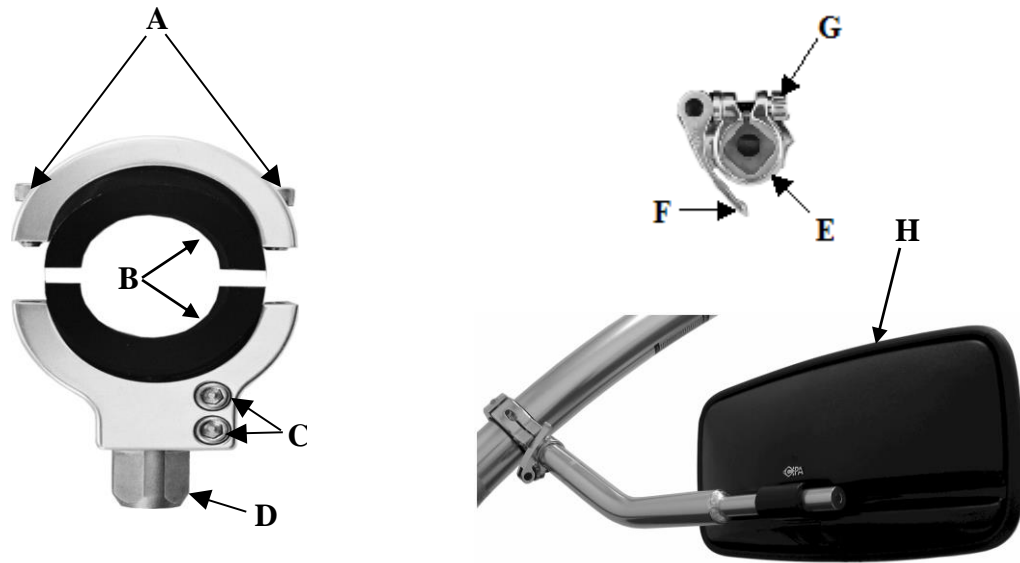
THANK YOU FOR YOUR BUSINESS. IF YOU ARE NOT COMPLETELY SATISFIED IN ANY WAY WITH YOUR NEW TOWER MIRROR, PLEASE CONTACT US. Our entire purpose as a company is to offer great products at affordable prices that our customers love.

Please take a few minutes to read the installation instructions and become familiar with the tower mirror and installation before beginning to ensure a high quality, trouble free installation and use. If you have any questions during your installation give us a call at 877-77-Tower or e-mail Support@MonsterTower.com

IMPORTANT NOTES ON INSTALLING AND USING YOUR NEW MIRROR

- Keep the mounting post lubricated
- Do not stand on the tower mirror as it can bend the tube and abuse is not covered under warranty
- Be sure the adjuster knob and cam lever provide a tight fit between the mounting post or receiver tube. Failure to tighten this can result in a lost mirror, which is not covered by warranty. Test this by pulling on the mirror each time before use.

Monster Tower Mirror Parts List



Item	Description
A	Hex head Cap Screws
B	Collar Insert
C	Mounting Post Clamp Screws
D	Mounting Post
E	Mirror Arm / Receiver Tube
F	Cam Lever
G	Adjuster Knob
H	CIPA Model M1C Mirror (optional)

INSTALLATION OF MIRROR ARM

1. Select a suitable location for your mirror, normally on the front right leg of your tower. This should not be mounted on a horizontal tube.
2. Remove two hex head cap screws (A) from mounting collar. Split collar and place black inserts (B) inside mounting collar.
3. Place mounting collar on tower and replace hex head cap screws (A). Snug the collar for now so you can rotate it to the desired location, but tighten screws to a torque setting of 22 ft/lbs before using. It is important to tighten the screws evenly or collar may bind, causing thread damage. A small gap between mounting collar halves will remain when tightened properly.
Notice: Improper bolt torque could lead to poor performance or product failure.
4. Attach the mirror arm to the mounting collar by sliding receiver tube (E) over mounting post (D). Receiver tube should be fully seated on the mounting post before closing cam lever (F). Adjust the cam lever tension by turning the adjuster knob (G) in ¼ turn increments until lever closes firmly. If the cam assembly is adjusted properly, the mirror arm will be held firmly in place and you will not be able to slide the mirror arm off the mounting post.

- Loosen the two hex head mounting post retention screws (C) and rotate the main tube and mounting collar to the desired position to ensure the mirror will be level. Tighten the two hex head screws evenly to a torque setting of 22 ft/lbs. **Notice: Improper bolt torque could lead to inadequate performance or product failure.** Tighten all hardware and the cam lever to complete the installation of the bracket.

INSTALLATION OF THE MIRROR TO THE MIRROR ARM

The mirror clamp must be removed from the mirror to fit onto the Mirror Arm.

- Remove the mirror bolt and clamp from the CIPA mirror.
- Push the mirror clamp over the mirror arm and adjust to the desired location.
- Slide the mirror clamp into the mirror, replace mirror bolt and tighten. The clamp should go in very tight and use pliers or channel locks if needed to close the clamp when inserting.
- Attach the mirror arm to the mounting collar and adjust the completed assembly to the correct position.



COMPLETED MIRROR



OPTIONAL CIPA EXTREME MIRROR ADAPTER

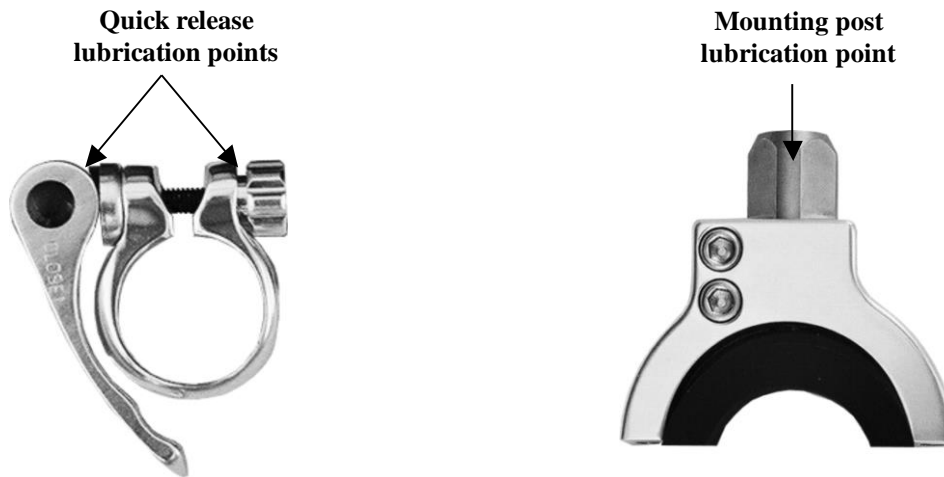
CIPA EXTREME MIRROR ADAPTER



To use the OPTIONAL adapter for CIPA Extreme mirrors install the adapter to the end of the mirror mount instead of the mirror shown in the previous step. Loosen the cap screws to slide the adapter over the end of the mirror mount. By sliding the adapter in and out and using top or bottom mirror mounting options, the mirror can be adjusted to what suites you best.

Lubrication

Periodic lubrication of friction points on quick release collar and mounting post will ensure easy operation and extend the life of the product. Use general purpose or clear silicone grease for this purpose.



It is the customer's responsibility to periodically check all bolts and screws to ensure that they are properly tightened. Improper tightening of bolts or screws can cause thread damage or product failure.

Care and Appearance

You can maintain the new appearance of your mirror mount by wiping with a clean damp cloth after each use. Soapy water or a commercially available marine water spot remover can be used as needed. Use only glass cleaner to clean the mirror face and occasionally wash the anodized aluminum. Armor-All can be used on the black plastic shell of the mirror.

Monster Tower, Inc. Warranty

Monster Tower warrants this product against manufacturer's defects for a period of five (5) years. Anodized surfaces are specifically excluded, as their care and use cannot be controlled by the manufacturer. Any modifications or improper use, not approved in writing by Monster Tower, shall void this warranty. I hope you find reading this stuff as boring as I find writing it. Monster Tower is not responsible for personal injury or damage to the boat caused by the use of this product. Monster Tower's obligation under this warranty shall not include any transportation charges or costs of installation or any liability for direct, indirect or consequential damages resulting from delay or improper installation of the mount. If you need to make a warranty claim contact Monster Tower at 877-77-Tower to receive a return authorization, number which is required for all claims. Defects must be reported within 30 days of receipt of product.