

# Westland

OVER THE TOWER BIMINI ASSEMBLY INSTRUCTIONS  
WITH STAINLESS STEEL HARDWARE

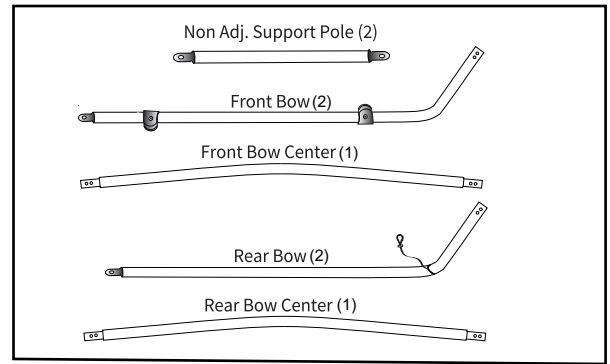
## MONSTER - MT2 TOWER

PART# MT MT2 NN1-3BS0AA / 3BS0AH

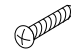


### PACKAGE CONTENTS

#### BOW PIECES



#### HARDWARE

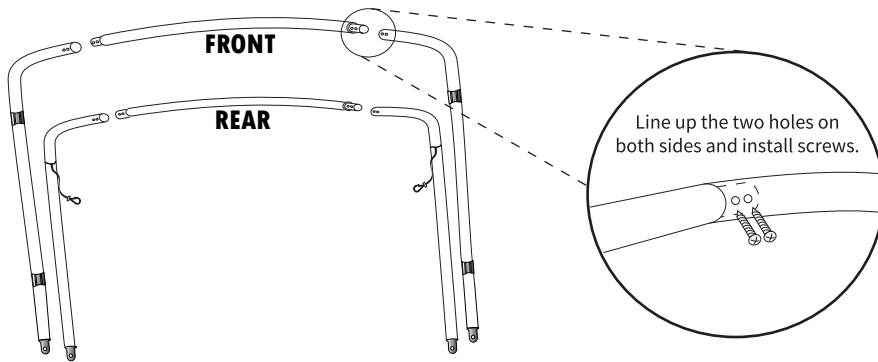
 #8 5/8" Screw  
(8) #100340

#### TOOLS REQUIRED

\*Phillips and Flat Head Screwdrivers

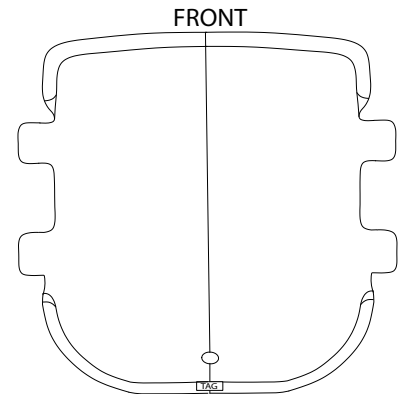
### STEP ONE :

Assemble your Front & Rear Bow pieces by inserting the screws as shown below.



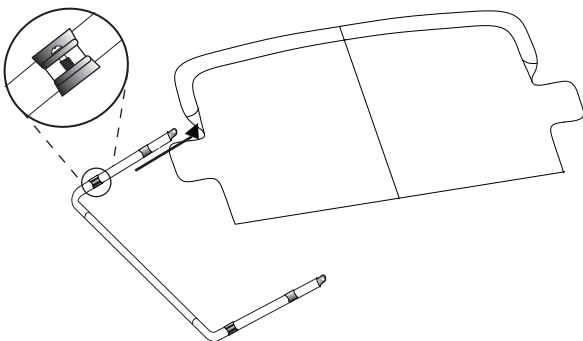
### STEP TWO :

Lay bimini fabric face down on a flat clean surface. (Label will be sewn into the rear sleeve)



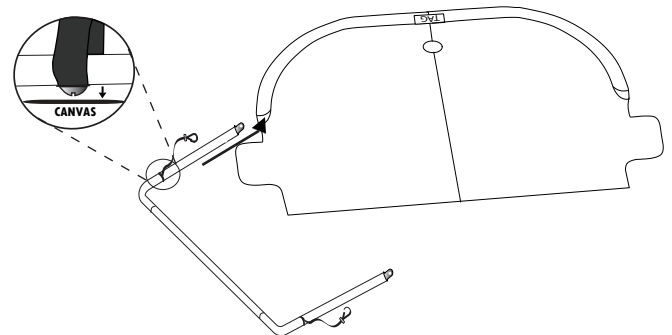
### STEP THREE :

Position the Front Bow with the top jaw slide opening face up. Thread the bow through the front sleeve.



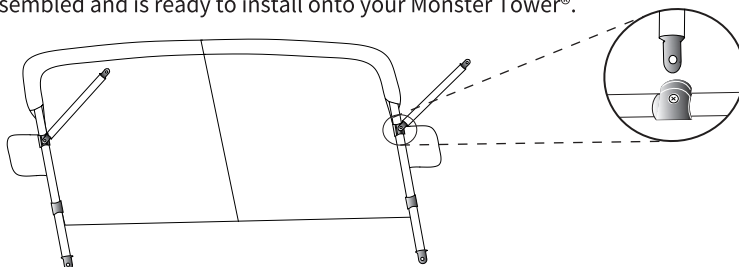
### STEP FOUR :

Position the Rear Bow so that the strap is facing upwards and the rivet head is facing down towards the canvas. Thread the bow through the sleeve.



### STEP FIVE :

Attach the 8" leg extension to the top jaw side. Your Bimini is now fully assembled and is ready to install onto your Monster Tower®.





# WESTLAND

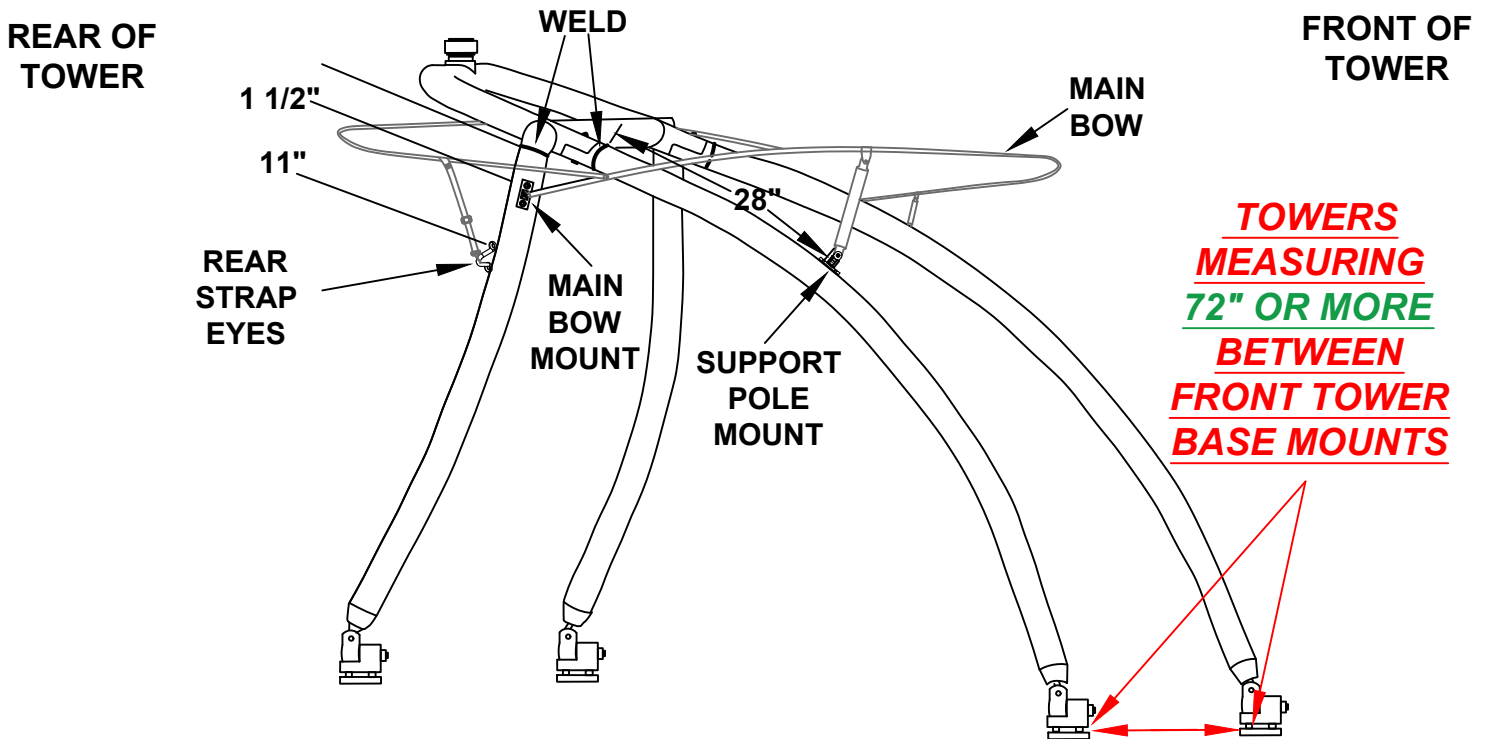
## OVER TOWER BIMINI TOP - BREAKDOWN VERSION MOUNTING INSTRUCTIONS

westlandcovers.com  
phone# 800-835-7992

### TOWERS BASES MEASURING - 72" OR MORE

2022 MONSTER TOWER	MONSTER MT 2	MT MT2 NN1-3BS0AA MT MT2 NN1-3BS0AH
--------------------	--------------	--

**PLEASE READ DIRECTIONS CAREFULLY BEFORE DRILLING TOWER**



**TOWERS  
MEASURING  
72" OR MORE  
BETWEEN  
FRONT TOWER  
BASE MOUNTS**

- 1) MEASURE 28" DOWN FROM CENTER OF WELD, ON FRONT LEG OF TOWER, TO CENTER OF TOP HOLE IN 180 DEGREE SWIVEL **SUPPORT POLE MOUNT**. CENTER MOUNT ON FRONT OF TOWER LEG, TWISTKNOB TOWARD INSIDE OF TOWER. USE #10 X 3/4" TEK SCREWS.
- 2) MEASURE 1 1/2" DOWN FROM CENTER OF WELD ON REAR LEG TO CENTER OF TOP HOLE ON **MAIN BOW SIDE MOUNT**. CENTER MOUNT ON OUTSIDE OF TOWER LEG. PLACE TWISTKNOB IN MOUNT TOWARD OUTSIDE OF TOWER. USE #10 X 3/4" TEK SCREWS
- 3) MEASURE 11" DOWN FROM CENTER OF WELD ON REAR LEG TO CENTER OF TOP HOLE IN **STRAP EYE**. CENTER STRAP EYE ON BACKSIDE OF TOWER LEG. USE #8 X 3/4" TEK SCREWS.

#### HARDWARE PACKAGED

- 2 - 200880 MOUNT SIDE S/S W/BOLT
- 2 - 200831 DECK HINGE 180 SS
- 4 - 101180 BLACK TWISTKNOBS 1/4" - 20 X 1"
- 2 - 101060 STRAP EYES
- 8 - 100470 #10 X 3/4" PHIL FLAT TEK SCREW
- 4 - 100390 #8 X 3/4" PHIL FLAT TEK SCREWS

#### ASSEMBLY PACKAGED

- 8 - 100340 #8 X 5/8" SCREW

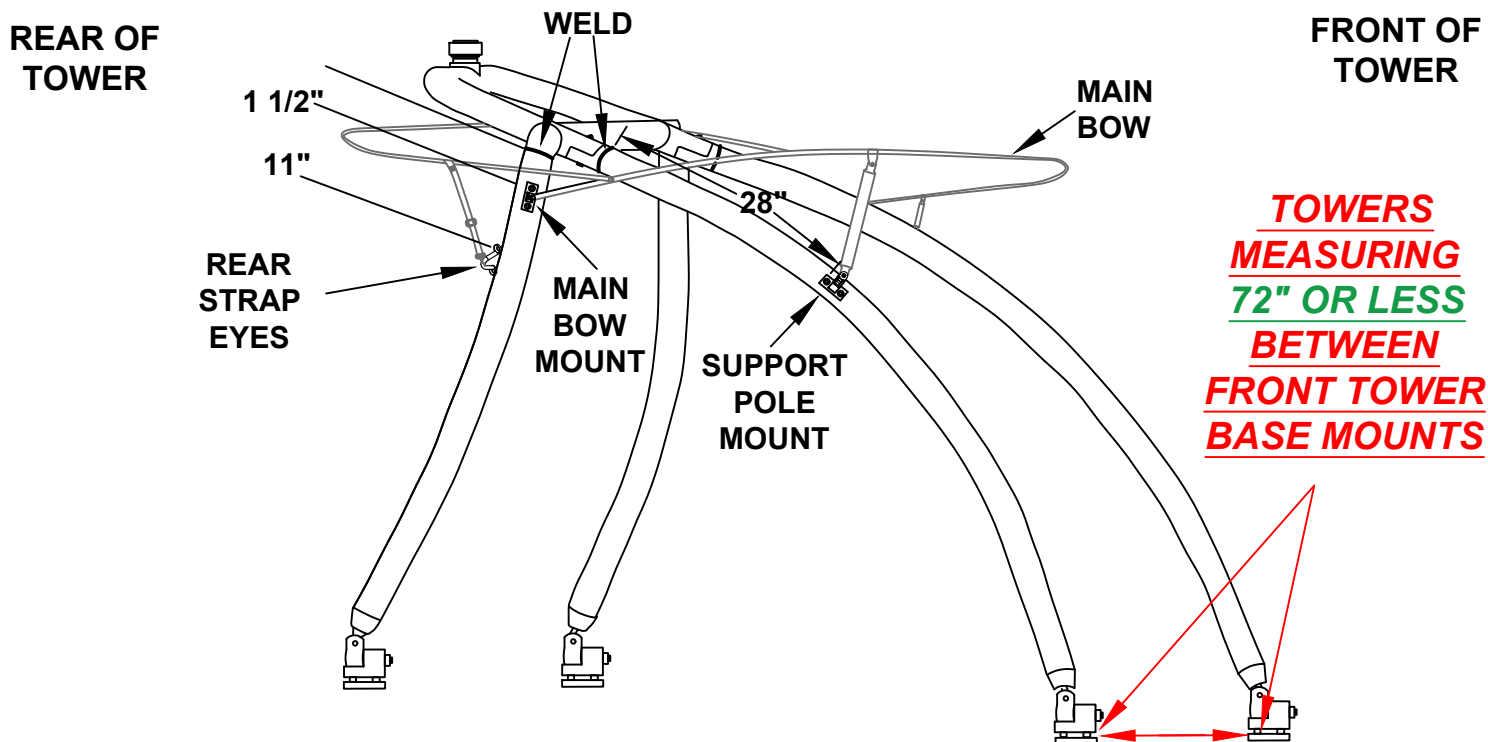
## OVER TOWER BIMINI TOP - BREAKDOWN VERSION MOUNTING INSTRUCTIONS

### TOWERS BASES MEASURING - 72" OR LESS

westlandcovers.com  
phone# 800-835-7992

2022 MONSTER TOWER	MONSTER MT 2	MT MT2 NN1-3BS0AA MT MT2 NN1-3BS0AH
--------------------	--------------	--

**PLEASE READ DIRECTIONS CAREFULLY BEFORE DRILLING TOWER**



**TOWERS  
MEASURING  
72" OR LESS  
BETWEEN  
FRONT TOWER  
BASE MOUNTS**

- 1) MEASURE 28" DOWN FROM CENTER OF WELD, ON FRONT LEG OF TOWER, TO CENTER OF TOP HOLE IN 180 DEGREE SWIVEL **SUPPORT POLE MOUNT**. CENTER MOUNT ON OUTSIDE OF TOWER LEG, TWISTKNOB TOWARD OUTSIDE OF TOWER. USE #10 X 3/4" TEK SCREWS.
- 2) MEASURE 1 1/2" DOWN FROM CENTER OF WELD ON REAR LEG TO CENTER OF TOP HOLE ON **MAIN BOW SIDE MOUNT**. CENTER MOUNT ON OUTSIDE OF TOWER LEG. PLACE TWISTKNOB IN MOUNT TOWARD OUTSIDE OF TOWER. USE #10 X 3/4" TEK SCREWS
- 3) MEASURE 11" DOWN FROM CENTER OF WELD ON REAR LEG TO CENTER OF TOP HOLE IN **STRAP EYE**. CENTER STRAP EYE ON BACKSIDE OF TOWER LEG. USE #8 X 3/4" TEK SCREWS.

#### HARDWARE PACKAGED

- 2 - 200880 MOUNT SIDE S/S W/BOLT
- 2 - 200831 DECK HINGE 180 SS
- 4 - 101080 BLACK TWISTKNOBS 1/4" - 20 X 1"
- 2 - 101060 STRAP EYES
- 8 - 100470 #10 X 3/4" PHIL FLAT TEK SCREW
- 4 - 100390 #8 X 3/4" PHIL FLAT TEK SCREWS

#### ASSEMBLY PACKAGED

- 8 - 100340 #8 X 5/8" SCREW