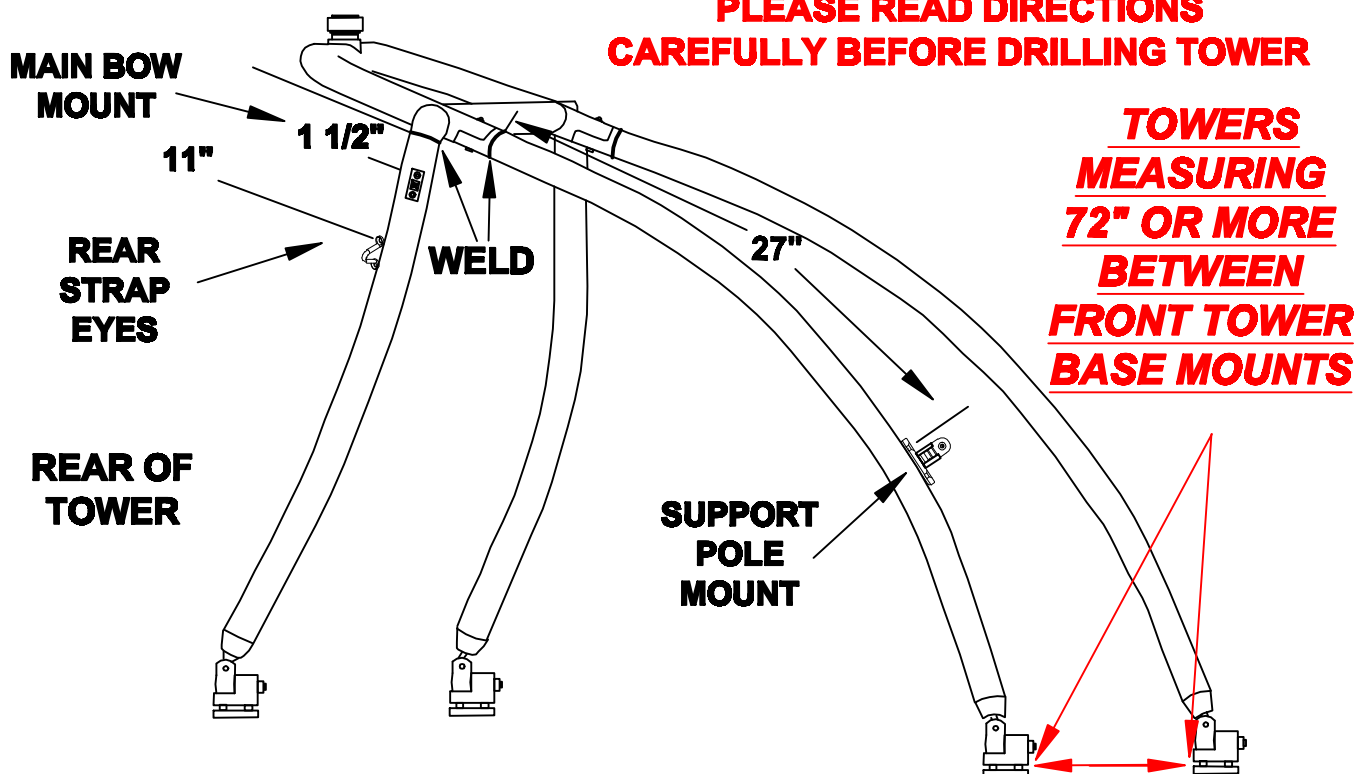




# GREAT LAKES BOAT TOP CO

## 2013 MONSTER MT E PHASE 2 OVER TOWER BIMINI TOP MOUNTING INSTRUCTIONS

**PLEASE READ DIRECTIONS  
CAREFULLY BEFORE DRILLING TOWER**



- 1) MEASURE 27" DOWN FROM CENTER OF WELD, ON FRONT LEG OF TOWER, TO CENTER OF TOP HOLE IN 90 DEGREE SWIVEL **SUPPORT POLE MOUNT**. CENTER MOUNT ON FRONT OF TOWER LEG, TWISTKNOB TOWARD INSIDE OF TOWER. USE #10 X 3/4" TEK SCREWS.
- 2) MEASURE 1 1/2" DOWN FROM CENTER OF WELD ON REAR LEG TO CENTER OF TOP HOLE ON **MAIN BOW SIDE MOUNT**. CENTER MOUNT ON OUTSIDE OF TOWER LEG. PLACE TWISTKNOB IN MOUNT TOWARD OUTSIDE OF TOWER. USE #10 X 3/4" TEK SCREWS.
- 3) MEASURE 11" DOWN FROM CENTER OF WELD ON REAR LEG TO CENTER OF TOP HOLE IN **STRAP EYE**. CENTER STRAP EYE ON BACKSIDE OF TOWER LEG. USE #8 X 3/4" TEK SCREWS.
- 4) PLACE PACKAGED **LEG EXTENSION** ON MAIN BOW INSERT & SECURE WITH #8 X 1/2" SCREW PROVIDED. **DISTANCE BETWEEN JAW SLIDES ON MAIN BOW SHOULD BE 18"**

### HARDWARE PACKAGED

- 2 - BLACK NYLON SIDE MOUNTS W/TWISTKNOB - #200520
- 2 - UNIVERSAL 90 DEGREE SWIVEL MOUNTS - #200614
- 2 - BLACK TWISTKNOBS 1/4" - 20 X 1" - 101180
- 2 - STRAP EYES - 101060
- 8 - #10 X 3/4" PHIL FLAT TEK SCREW - 100470
- 4 - #8 X 3/4" PHIL FLAT TEK SCREWS - 100390
- 2 - #8 X 1/2" PAN HEAD SCREWS - 100371
- 2 - 8" LEG EXTENSION FOR MAIN BOW