



Monster Tower

WAKEBOARD TOWERS & ACCESSORIES

Monster Waterski Rack Installation Instructions and Owners Manual

Monster Tower, Inc.
5714 US Hwy 411 S
Maryville, TN 37801

Phone: 877-77-Tower
Fax: 877-232-6538
www.MonsterTower.com
Support@MonsterTower.com

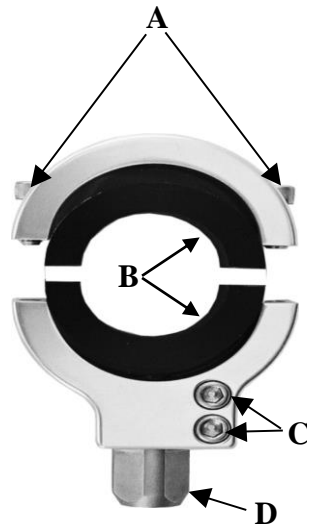
THANK YOU FOR YOUR BUSINESS. IF YOU ARE NOT COMPLETELY SATISFIED IN ANY WAY WITH YOUR NEW WATERSKI RACK, PLEASE CONTACT US. Our entire purpose as a company is to offer great products at affordable prices that our customers love.

Please take a few minutes to read the installation instructions and become familiar with the wakeboard rack and installation before beginning to ensure a high quality, trouble free installation and use. If you have any questions during your installation give us a call at 877-77-Tower or e-mail Support@MonsterTower.com

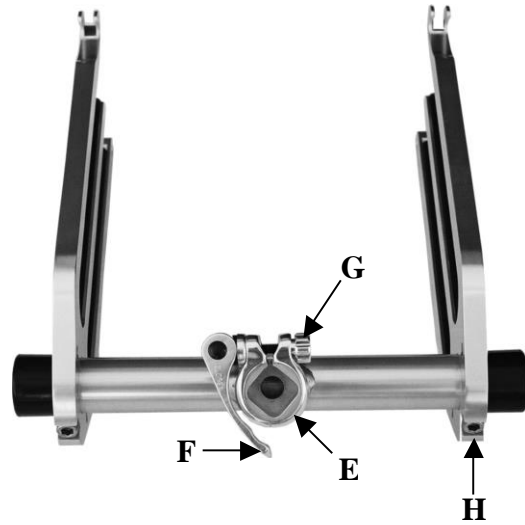
IMPORTANT NOTES ON INSTALLING AND USING YOUR NEW MONSTER RACK

- Only mount on a vertical tube, do not mount on a horizontal or top tube.
- Keep the mounting post lubricated
- Do not trailer your boat with boards or skis in the racks
- Wakeboard ropes can catch on racks and contents during sharp turns causing damage to skis and racks. Prevent the rope from catching on the rack and warn all drivers of this possibility
- Do not stand on the rack as it can bend the tube or forks and abuse is not covered under warranty
- Be sure the adjuster knob and cam lever provide a tight fit between the mounting post or receiver tube. Failure to tighten this can result in a lost fork assembly, and is not covered by warranty. Test this by pulling on the rack each time before use.

Monster Waterski Rack Parts List



Collar Detail View



Rack Detail View

(Wakeboard Rack Shown, Same for Waterski Rack)

Item	Description
A	Hex head Cap Screws
B	Collar Insert
C	Mounting Post Retention Screws
D	Mounting Post
E	Receiver Tube
F	Cam Lever
G	Adjuster Knob
H	Fork Tube Bolt

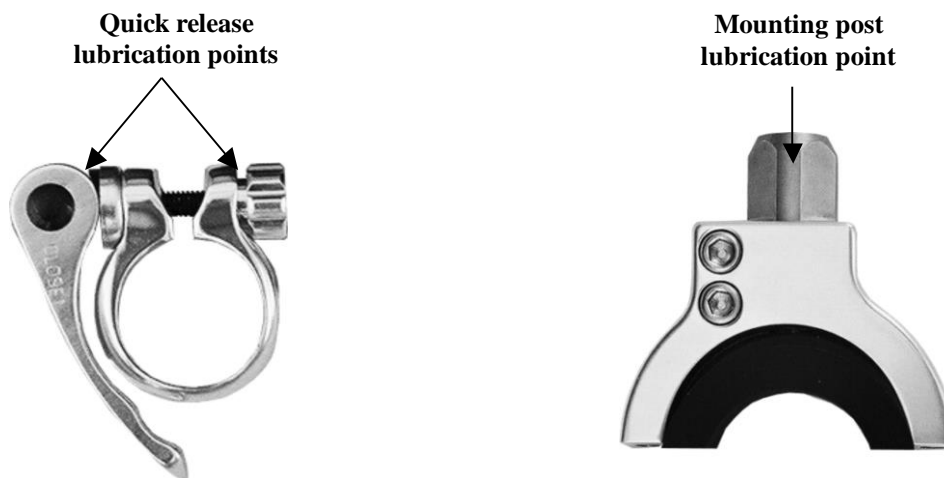
INSTALLATION

1. Select a suitable location for your rack. For the Monster Tower, it is best to mount the rack about 2/3rd of the way up the rear legs. For other towers, mount racks on one of the vertical side tubes of the tower. Racks should not be mounted on horizontal tube.
2. Remove two hex head cap screws (A) from mounting collar. Split collar and place black inserts (B) inside mounting collar.
3. Place mounting collar on tower and replace hex head cap screws (A). Tighten screws to a torque setting of 22 ft/lbs. It is important to tighten the screws evenly or collar may bind, causing thread damage. A small gap between mounting collar halves will remain when tightened properly. Notice: Improper bolt torque could lead to poor performance or product failure.
4. Attach the rack assembly to the mounting collar by sliding receiver tube (E) over mounting post (D). Receiver tube should be fully seated on the mounting post before closing cam lever (F). Adjust the cam lever tension by turning the adjuster knob (G) in ¼ turn increments until lever closes firmly. If the cam assembly is adjusted properly, the rack assembly will be held firmly in place and you will not be able to slide the rack assembly off the mounting post.

5. Loosen the two hex head mounting post retention screws (C) and rotate the rack assembly to the desired position. Tighten the two hex head screws evenly to a torque setting of 22 ft/lbs. **Notice: Improper bolt torque could lead to inadequate performance or product failure.**

Lubrication

Periodic lubrication of friction points on quick release collar and mounting post will ensure easy operation and extend the life of the product. Use general purpose or clear silicone grease for this purpose.



Fasteners

It is the customer's responsibility to periodically check all bolts and screws to ensure that they are properly tightened. Fork tube bolt (H) is tightened to factory specifications (22 ft/lbs.) during assembly. Removal of the fork tube bolt is not recommended. Improper tightening of bolts or screws can cause thread damage or product failure.

Care and Appearance

You can maintain the new appearance of your board racks by wiping with a clean damp cloth after each use. Soapy water or a commercially available marine water spot remover can be used as needed.

Monster Tower, Inc. Warranty

Monster Tower warrants this product against manufacturing defects for a period of five (5) years. Anodized surfaces are specifically excluded, as their care and use cannot be controlled by the manufacturer. Any modifications or improper use, not approved in writing by Monster Tower, shall void this warranty. Monster Tower is not responsible for personal injury or damage to the boat caused by the use of this product. Monster Tower's obligation under this warranty shall not include any transportation charges or costs of installation or any liability for direct, indirect or consequential damages resulting from delay or improper installation of the bimini. If you need to make a warranty claim contact Monster Tower at 877-77-Tower to receive a return authorization, number which is required for all claims. Defects must be reported within 30 days of discovery.